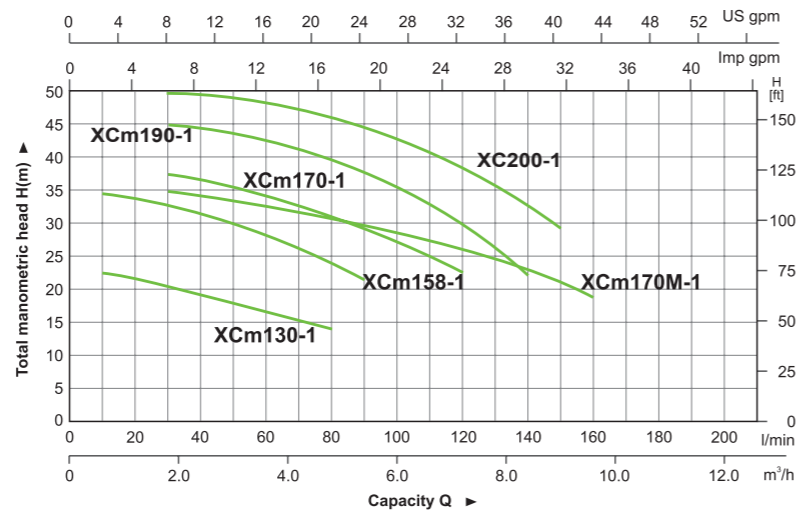




**Xcm**

**HYDRAULIC PERFORMANCE CURVE**



**PUMP**

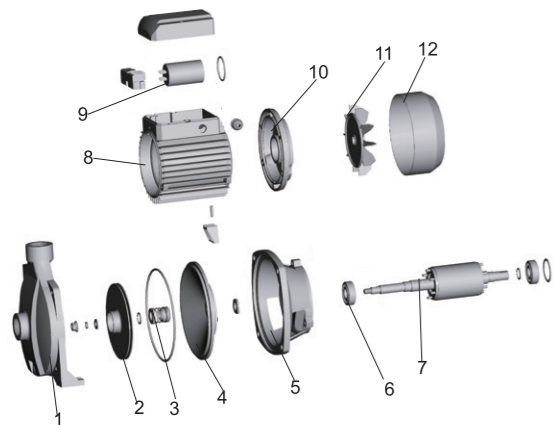
- Transfer of clean water or non-aggressive liquid
- Special anti-rust treatment for pump body and support
- Max. liquid temperature: +40°C
- Max. suction: +8 m

**MOTOR**

- Copper winding
- Built-in thermal protector for single phase motor
- Insulation class: F
- Protection class: IPX4
- Max. ambient temperature: +40°C

MODEL	POWER		INLET/OUTLET	MAX.FLOW (L/min)	MAX.HEAD (m)	MAX.SUCT (m)
	(kW)	(HP)				
<b>XCm130-1</b>	0.37	0.5	1" x 1"	90	23	8
<b>XCm158-1</b>	0.75	1.0	1" x 1"	100	36	8
<b>XCm170-1</b>	1.1	1.5	1" x 1"	130	41	8
<b>XCm170M-1</b>	1.1	1.5	1 1/4" x 1"	170	36	8
<b>XCm190-1</b>	1.5	2.0	1 1/4" x 1"	150	48	8
<b>XCm200-1</b>	2.2	3.0	1 1/4" x 1"	160	55	8

Note: m means single phase motor. Three phase motor without m.

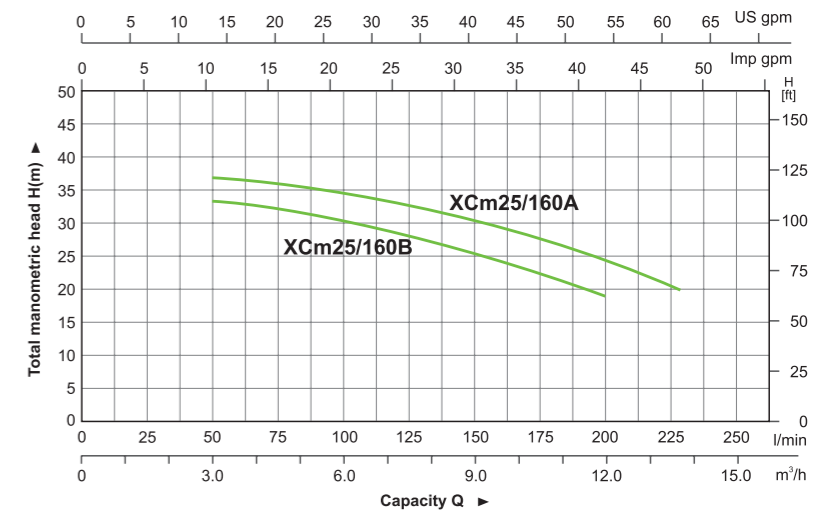


Part
1 Pump body
2 Impeller
3 Mechanical seal
4 Bracket cover
5 Support
6 Bearing
7 Rotor
8 Stator
9 Capacitor
10 Rear cover
11 Fan
12 Fan cover



**Xcm**

**HYDRAULIC PERFORMANCE CURVE**



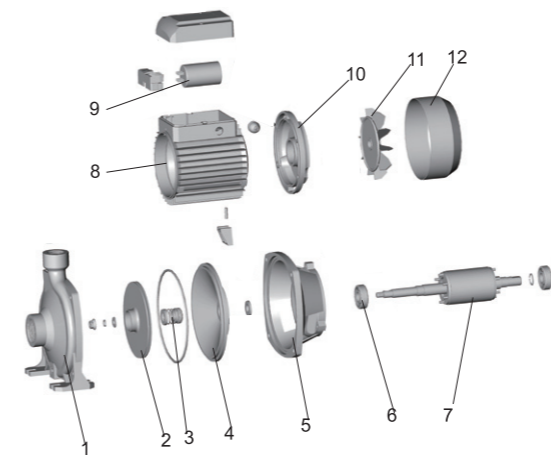
**PUMP**

- Transfer of clean water or non-aggressive liquid
- Special anti-rust treatment for pump body and support
- Max. liquid temperature: +40°C
- Max. suction: +8 m

**MOTOR**

- Copper winding
- Built-in thermal protector for single phase motor
- Insulation class: F
- Protection class: IPX4
- Max. ambient temperature: +40°C

MODEL	POWER		INLET/OUTLET	MAX.FLOW (L/min)	MAX.HEAD (m)	MAX.SUCT (m)
	(kW)	(HP)				
<b>XCm25/160A</b>	1.5	2.0	1 1/2" x 1"	250	38	8
<b>XCm25/160B</b>	1.1	1.5	1 1/2" x 1"	220	33	8



Part
1 Pump body
2 Impeller
3 Mechanical seal
4 Bracket cover
5 Support
6 Bearing
7 Rotor
8 Stator
9 Capacitor
10 Rear cover
11 Fan
12 Fan cover